

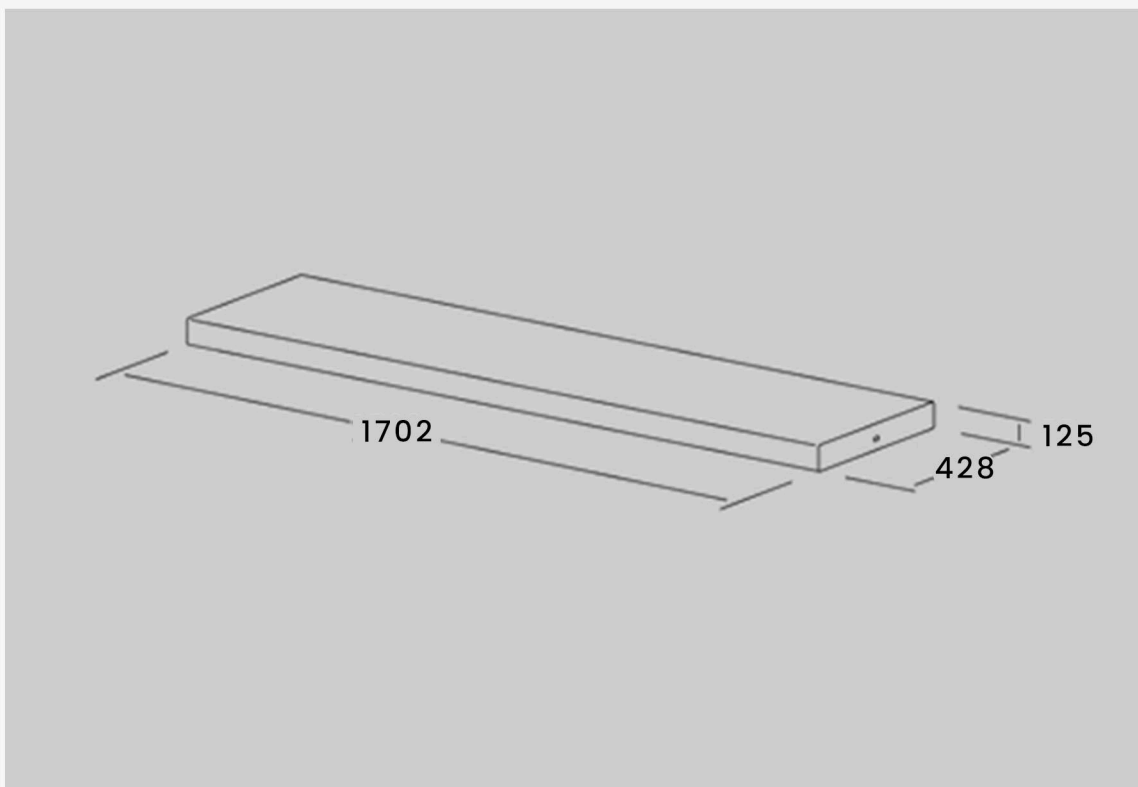
Technical specification - SunSeat



DIMENSIONS:

1. BASIC model - smart solar board:

- Length: 1702mm
- Width: 428mm
- Height: 125mm



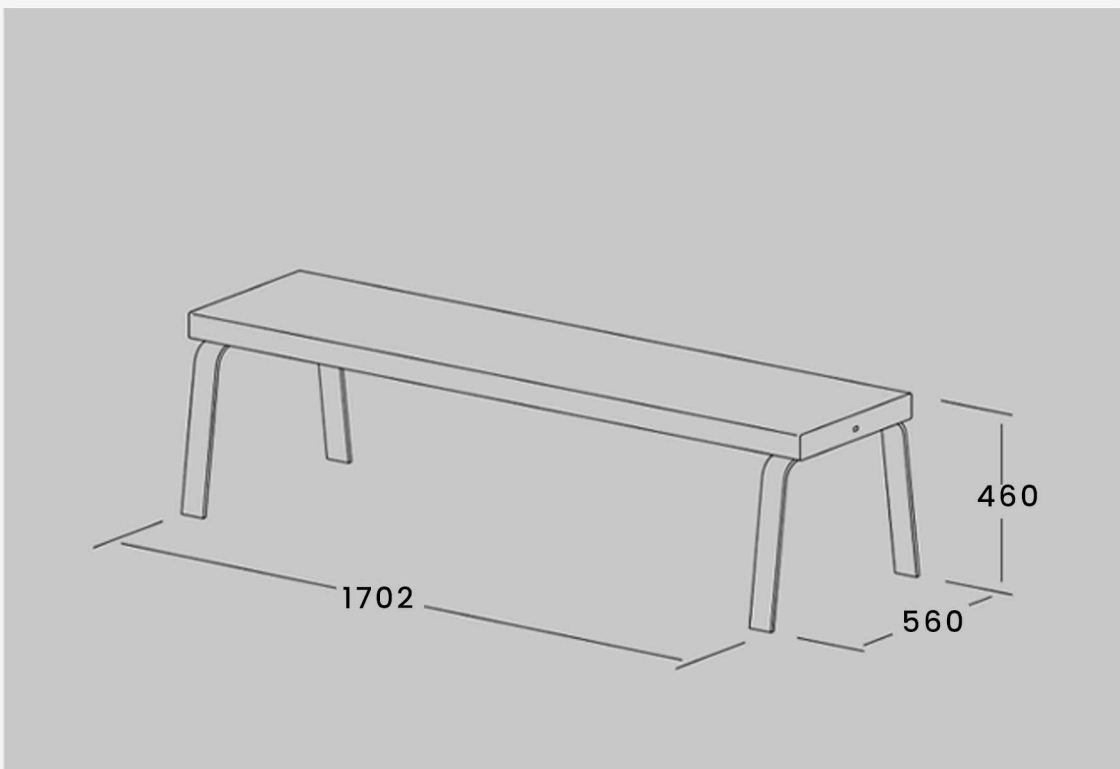
Technical specification - SunSeat



DIMENSIONS:

2. CLASSIC model 1 - smart solar board with standard legs:

- Length: 1702mm
- Width: 560mm
- Height: 460mm



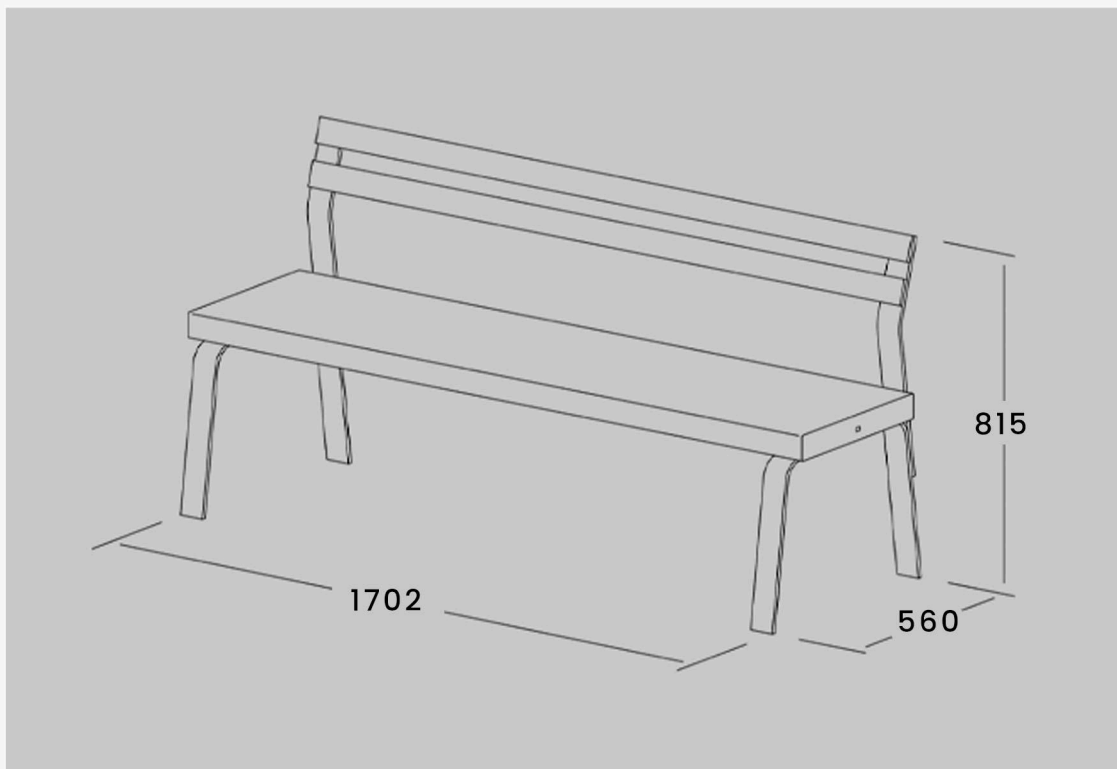
Technical specification - SunSeat



DIMENSIONS:

CLASSIC model 2 - smart solar board with standard legs and backrest:

- Length: 1702mm
- Width: 560mm
- Height: 815mm



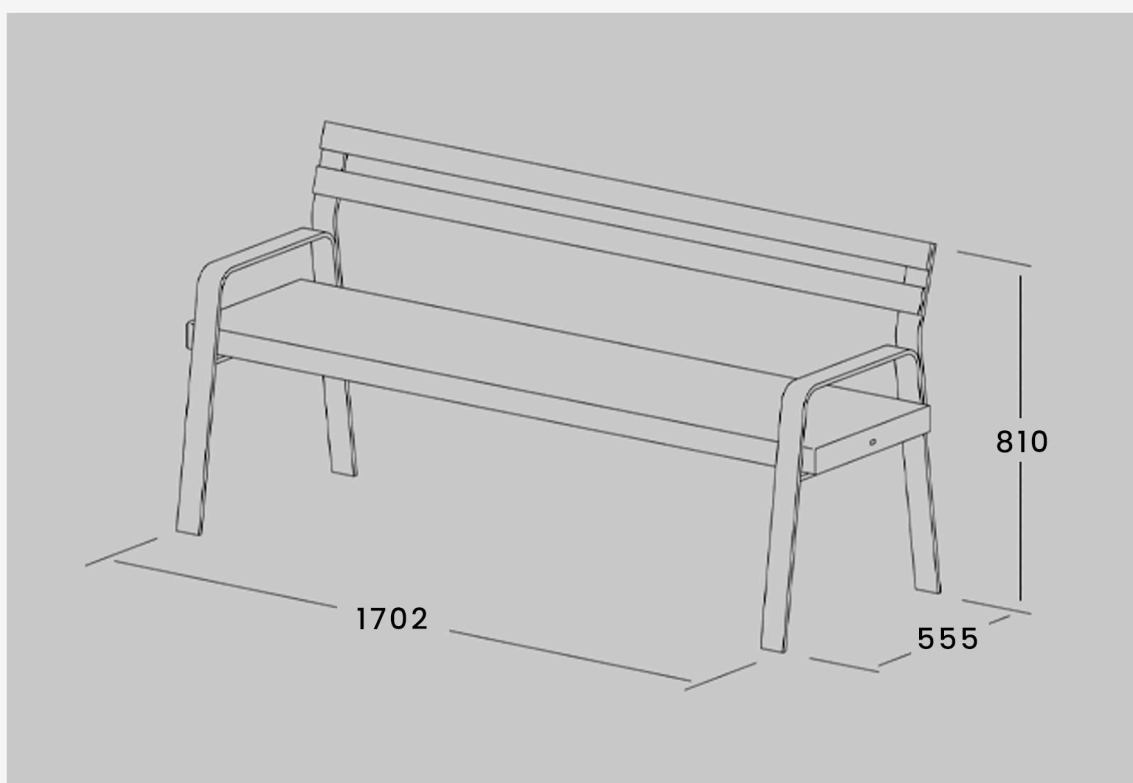
Technical specification - SunSeat



DIMENSIONS:

CLASSIC model 3 - smart solar board with standard legs, backrest and armrest:

- Length: 1702mm
- Width: 555mm
- Height: 810mm



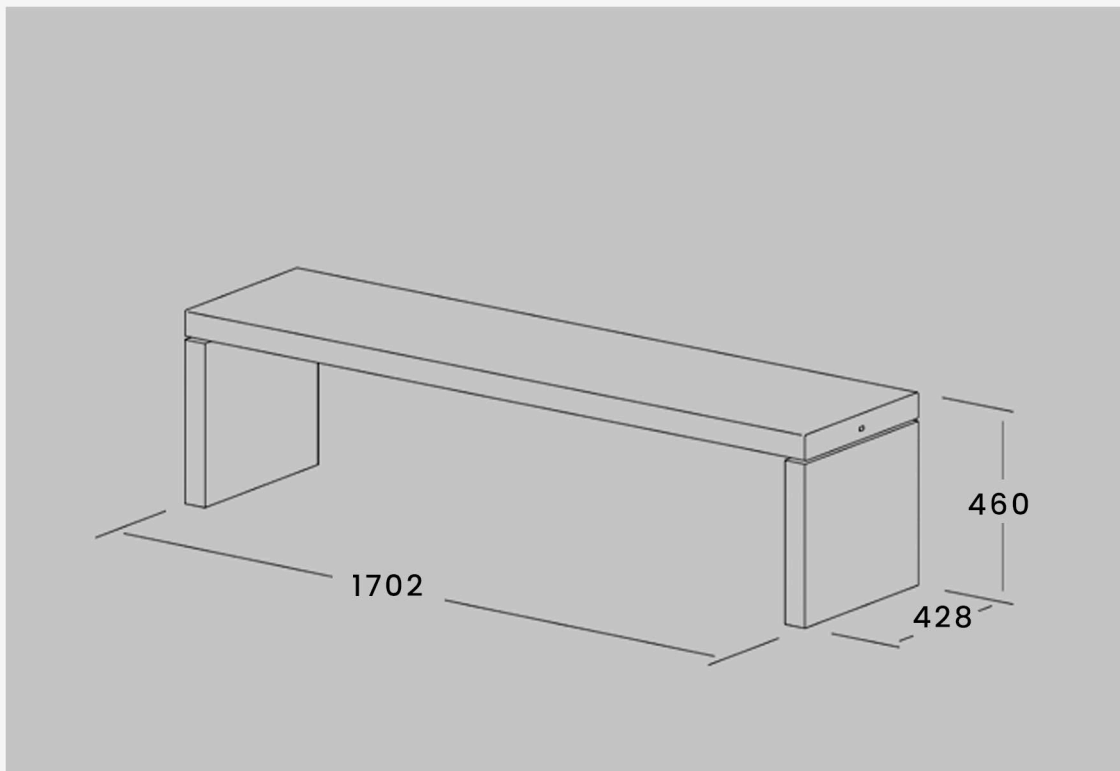
Technical specification - SunSeat



DIMENSIONS:

3. Urban model - smart solar board with thick steel legs:

- Length: 1702mm
- Width: 428mm
- Height: 460mm



Technical specification - SunSeat

Construction material:

Steel

Finish:

Body material Steel - Double layer paint

Standard colour: RAL 7016 smooth matt

(other colours are available upon request)

Seating surface:

Transparent acrylic glass (PMMA)

Packaging:

Cardboard box

FEATURES AND ELEMENTS:

Basic model	
Solar Panel	110W
AGM Battery	44Ah
2x Qi Wireless chargers	15W fast charge
LED light	2W
4xUSB (2x USB-a, 2xUSB-C) Fast charging	USB modul 60W
Additional features	
WiFi	Smart & customisable Landing page
Hybrid	Only for Urban & Basic Model
Additional elements	
Legs	Double layer paint
Backrest	Double layer paint
Armrest	Double layer paint
Box legs	Double layer paint